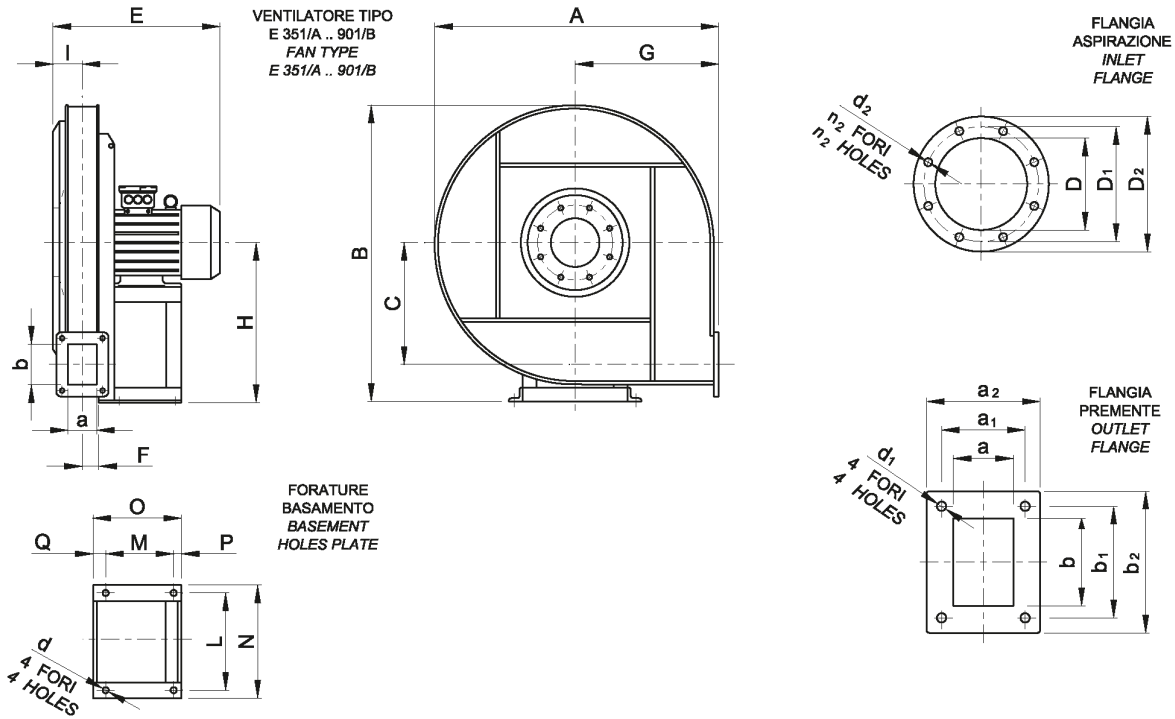


MODELLO E - DIMENSIONI DI INGOMBRO
MODEL E - OVERALL DIMENSIONS



| Ventilatore Tipo Fan Type | Motore Motor | | Ventilatore Fan | | | | | | | Basamento Basement | | | | | | | Flangia aspirazione Inlet flange | | | | | Flangia premente Outlet flange | | | | | | | Peso Weight kg | | |
|------------------------------|-----------------|-------------|--------------------|------|-----|-----|----|-----|-----|-----------------------|-----|-----|-----|-----|----|----|-------------------------------------|-----|----------------|----------------|----------------|-----------------------------------|----|-----|----------------|----------------|----------------|----------------|----------------------|-------------------|----------------|
| | g/l' rpm | kW inst. | A | B | C | E | F | G | H | I | L | M | N | O | P | Q | d | D | D ₁ | D ₂ | n ₂ | d ₂ | a | b | a ₁ | b ₁ | a ₂ | b ₂ | | n fori n holes | d ₁ |
| E 351/A | 2770 | 0.55 | 510 | 560 | 220 | 290 | 38 | 250 | 300 | 45 | 215 | 125 | 235 | 190 | 15 | 50 | 10 | 145 | 182 | 215 | 8 | 11.5 | 63 | 90 | 90 | 112 | 123 | 150 | 4 | 9 | 30 |
| E 401/A | 2830 | 0.75 | 510 | 560 | 220 | 315 | 38 | 250 | 300 | 45 | 215 | 125 | 235 | 190 | 15 | 50 | 10 | 145 | 182 | 215 | 8 | 11.5 | 63 | 90 | 90 | 112 | 123 | 150 | 4 | 9 | 33 |
| E 451/A | 2830 | 1.1 | 635 | 670 | 280 | 315 | 38 | 300 | 355 | 45 | 215 | 125 | 235 | 190 | 15 | 50 | 10 | 145 | 182 | 215 | 8 | 11.5 | 63 | 90 | 90 | 112 | 123 | 150 | 4 | 9 | 45 |
| E 501/A | 2840 | 1.5 | 635 | 670 | 280 | 315 | 38 | 300 | 355 | 45 | 245 | 137 | 270 | 215 | 18 | 60 | 10 | 145 | 182 | 215 | 8 | 11.5 | 63 | 90 | 90 | 112 | 123 | 150 | 4 | 9 | 47 |
| E 561/A | 2850 | 2.2 | 735 | 800 | 330 | 375 | 38 | 355 | 425 | 50 | 245 | 137 | 270 | 215 | 18 | 60 | 10 | 165 | 200 | 235 | 8 | 11.5 | 71 | 100 | 100 | 125 | 131 | 160 | 4 | 9 | 67 |
| E 631/A | 2880 | 3 | 735 | 800 | 330 | 425 | 42 | 355 | 425 | 50 | 300 | 200 | 335 | 260 | 25 | 35 | 12 | 165 | 200 | 235 | 8 | 11.5 | 71 | 100 | 100 | 125 | 131 | 160 | 4 | 9 | 72 |
| E 712/A | 2900 | 4 | 825 | 890 | 380 | 460 | 42 | 400 | 475 | 50 | 300 | 200 | 335 | 260 | 25 | 35 | 12 | 165 | 200 | 235 | 8 | 11.5 | 71 | 100 | 100 | 125 | 131 | 160 | 4 | 9 | 105 |
| E 711/A | 2900 | 5.5 | 825 | 890 | 380 | 505 | 42 | 400 | 475 | 50 | 360 | 250 | 392 | 320 | 25 | 45 | 12 | 165 | 200 | 235 | 8 | 11.5 | 71 | 100 | 100 | 125 | 131 | 160 | 4 | 9 | 120 |
| E 801/A | 2900 | 7.5 | 925 | 995 | 430 | 505 | 42 | 450 | 530 | 50 | 360 | 250 | 392 | 320 | 25 | 45 | 12 | 165 | 200 | 235 | 8 | 11.5 | 71 | 100 | 100 | 125 | 131 | 160 | 4 | 9 | 150 |
| E 801/B | 2900 | 9.2 | 925 | 995 | 430 | 550 | 42 | 450 | 530 | 50 | 360 | 250 | 392 | 320 | 25 | 45 | 12 | 165 | 200 | 235 | 8 | 11.5 | 71 | 100 | 100 | 125 | 131 | 160 | 4 | 9 | 160 |
| E 901/A | 2900 | 9.2 | 1100 | 1180 | 530 | 570 | 48 | 530 | 630 | 58 | 360 | 250 | 392 | 320 | 25 | 45 | 12 | 185 | 219 | 255 | 8 | 11.5 | 80 | 112 | 112 | 140 | 140 | 172 | 4 | 9 | 175 |
| E 901/B | 2900 | 11 | 1100 | 1180 | 530 | 650 | 48 | 530 | 630 | 58 | 400 | 305 | 440 | 380 | 30 | 45 | 14 | 185 | 219 | 255 | 8 | 11.5 | 80 | 112 | 112 | 140 | 140 | 172 | 4 | 9 | 240 |